



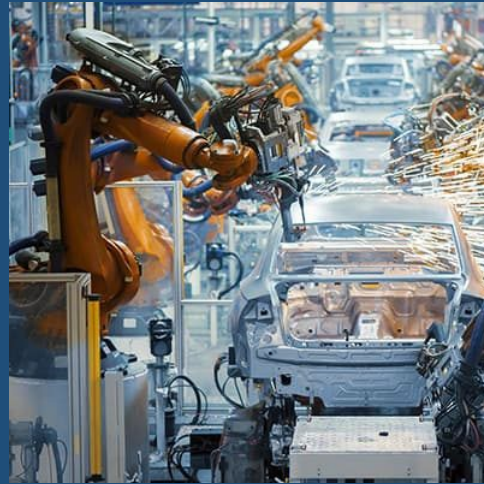
Application and Design Guide

Description	Page
Markets	3
System Components	4
On-site BMS	5
On-site BMS (Daisy-Chaining)	6
Distributed Enterprise BMS	7
DNP3 Multi-Site	8
Modbus	9
Ethernet/IP	10
HART	11
DOME Sentry Ordering	12
DOME Interface Appliance Ordering	13





Building
Automation



Industrial
Automation



Critical
Infrastructure



Hospitals &
Healthcare

DOME SaaS/Dashboard



- Analytics
- Security Alerts
- Daily Status Email
- API

DOME supports “No Cloud Connectivity” operation for High Security sites

DOME Interface Appliance (DIA)



- Manages Cloud Connection
- Device Management
- Credential Management
- Data Logging Capture

DOME Client



Embedded Software for OEMs

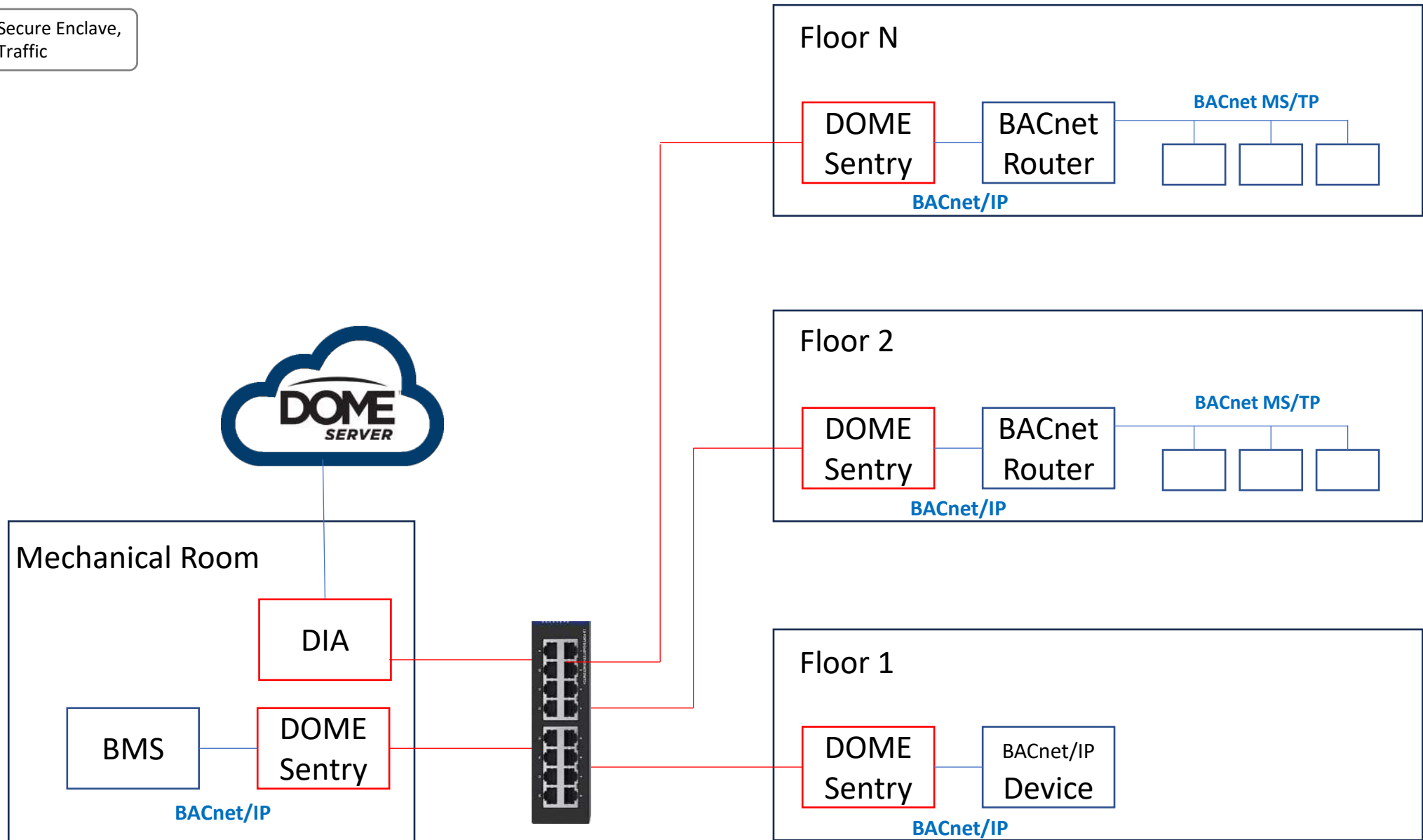
- STOPS Cyber Attacks
- 100% NIST Zero Trust Framework
- Auto-config (network, keys, certs)
- Detailed logging
- No IT or Cyber Skills Needed
- Protects 1:1 and 1:N Devices

DOME Sentry

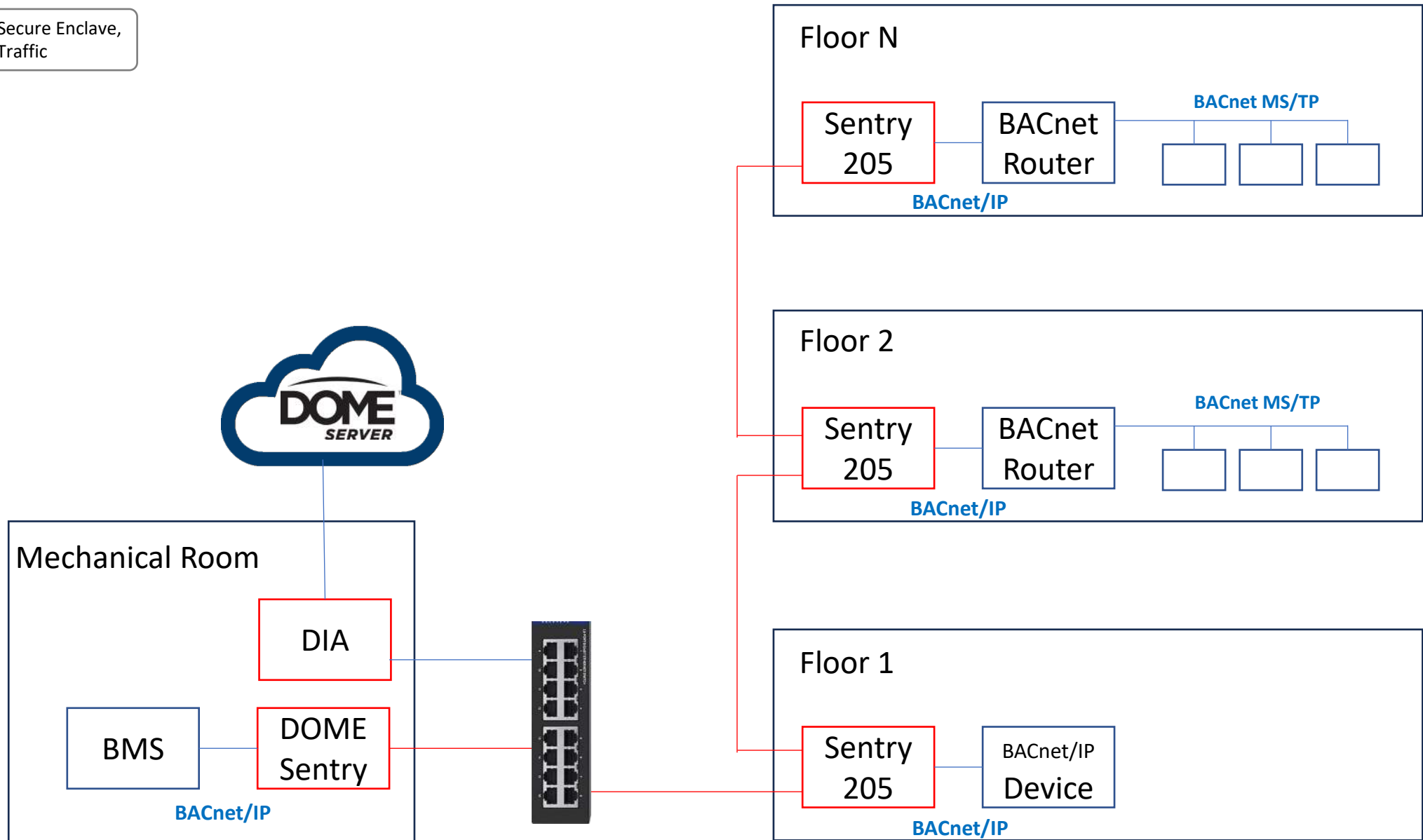


Retrofit Solution

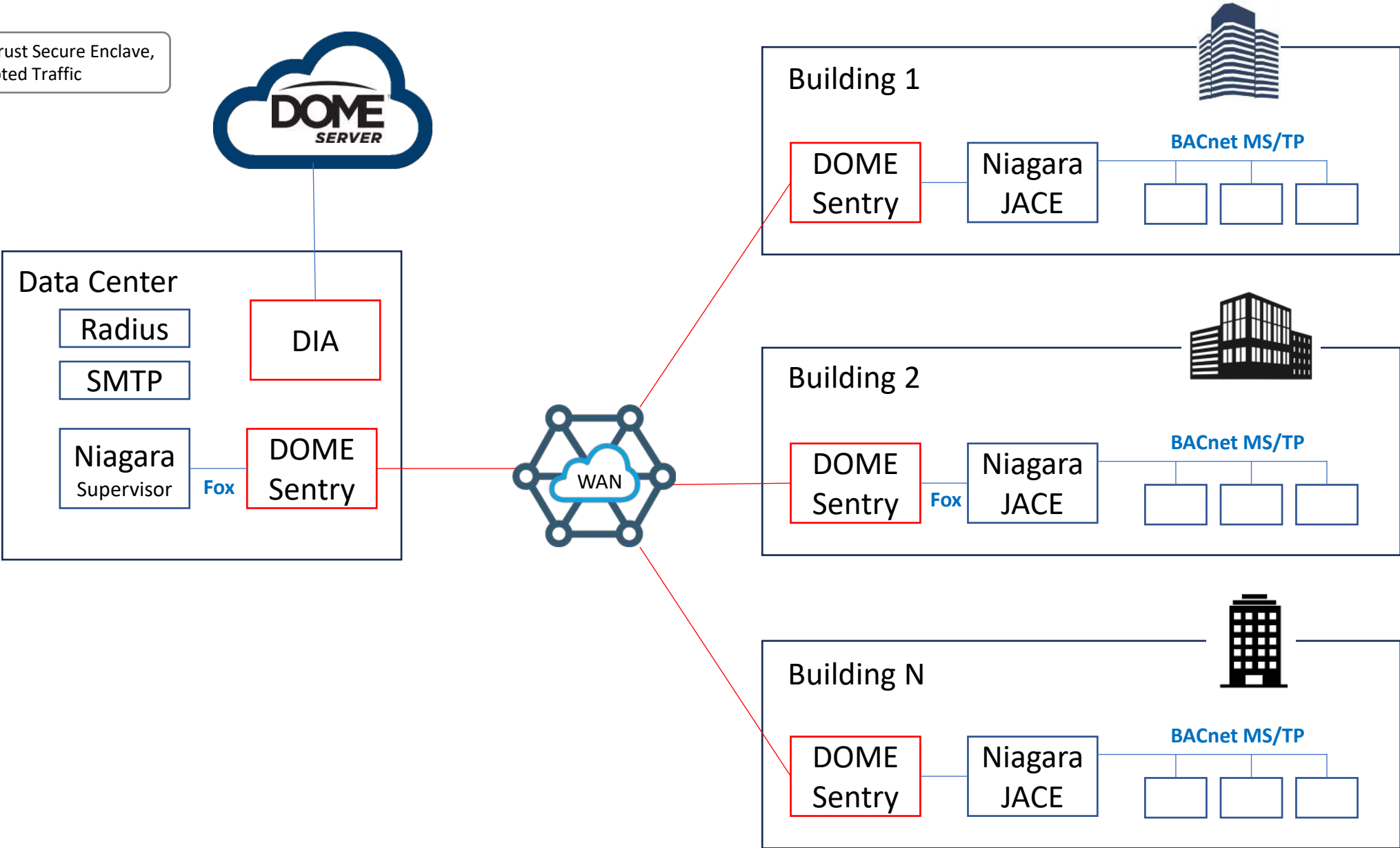
— Zero Trust Secure Enclave, Encrypted Traffic



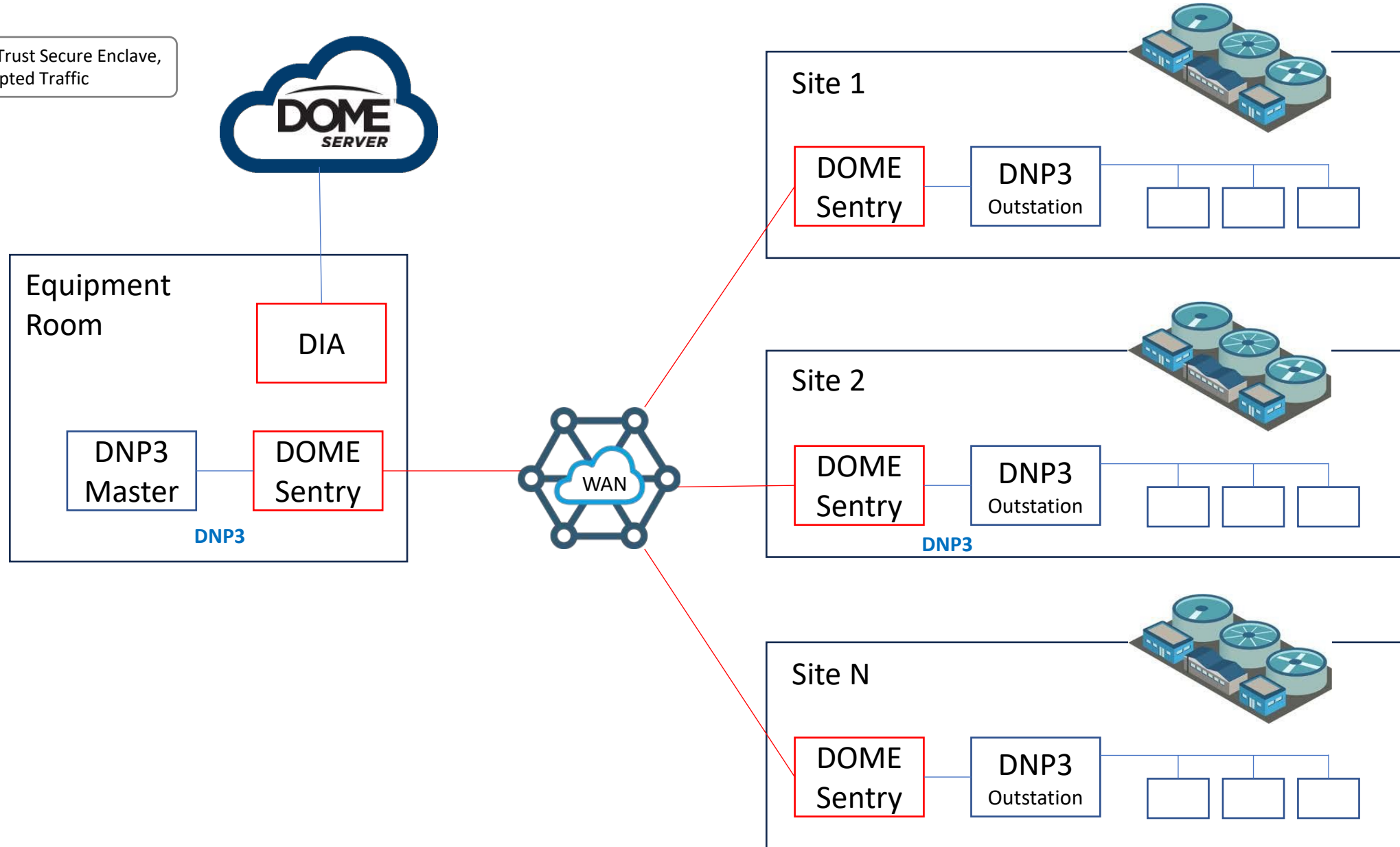
— Zero Trust Secure Enclave, Encrypted Traffic



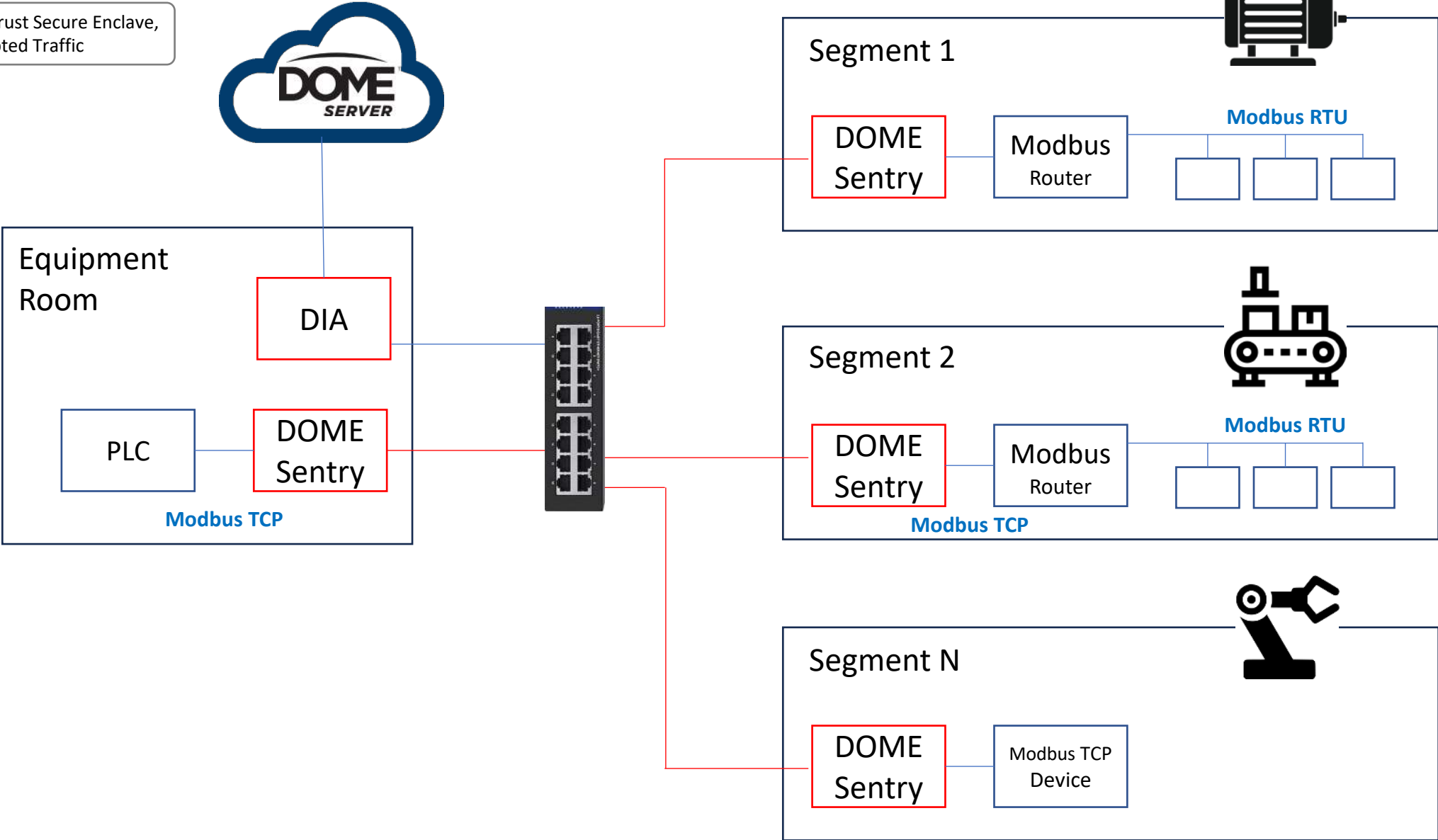
Zero Trust Secure Enclave, Encrypted Traffic



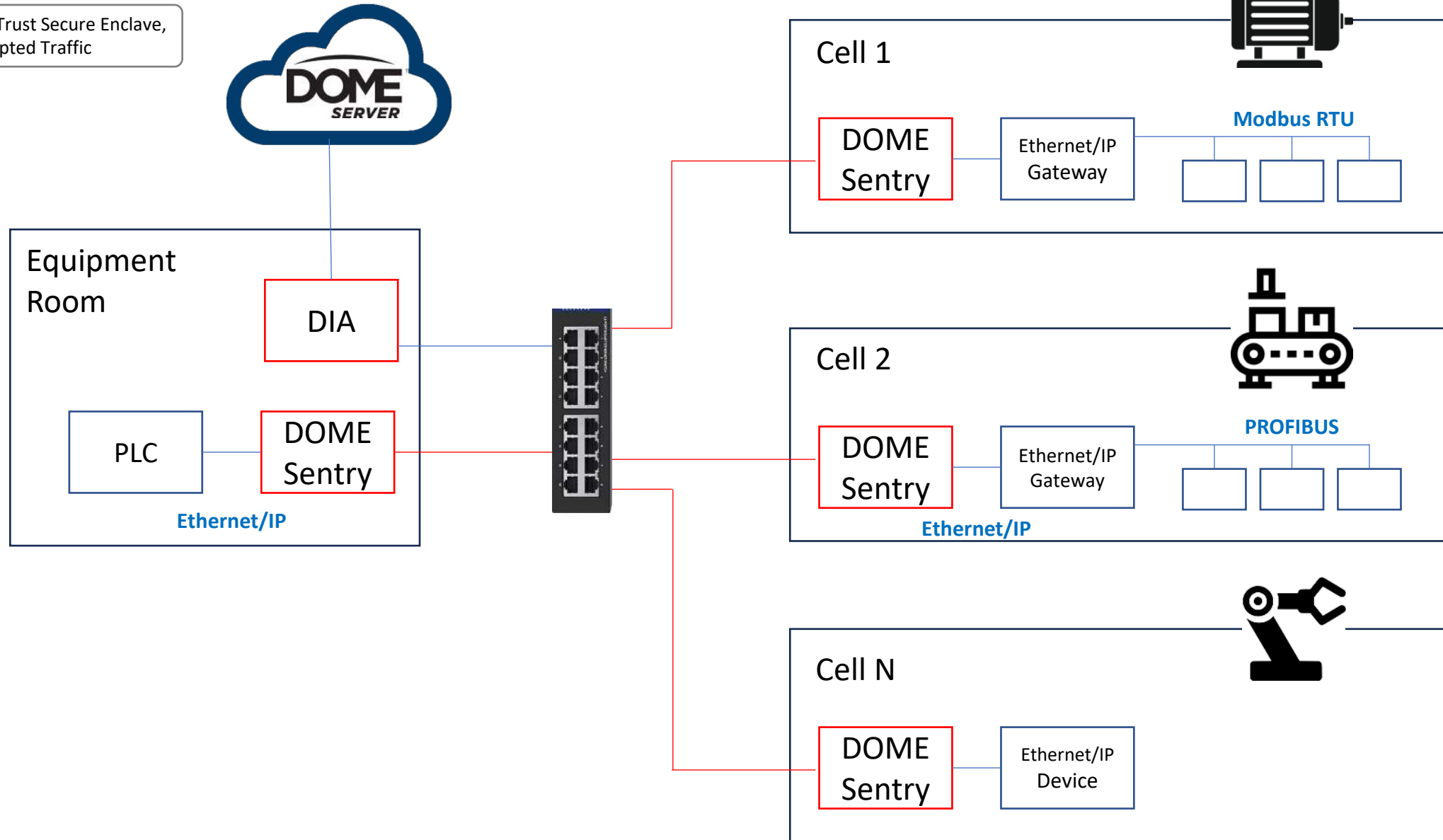
— Zero Trust Secure Enclave, Encrypted Traffic



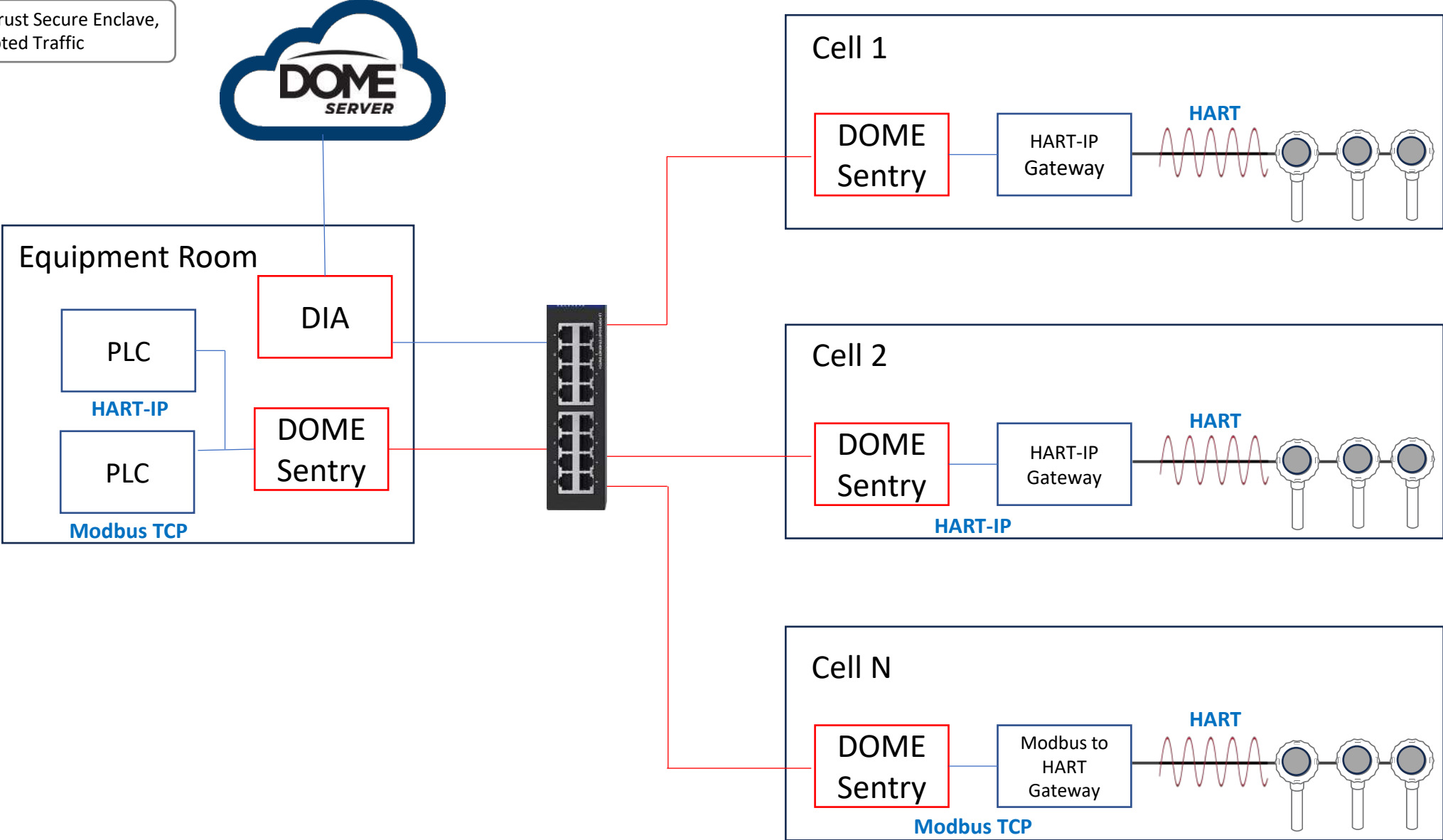
Zero Trust Secure Enclave, Encrypted Traffic



— Zero Trust Secure Enclave, Encrypted Traffic



Zero Trust Secure Enclave, Encrypted Traffic





Sentry 201



Sentry 204



Sentry 205



Sentry 401

Model	101	201	204	205	401
Technical Specifications					
Ethernet Ports	2 x 10/100/1000Gbps	1 x 10/100/1000Mbps, 1 x 10/100Mbps	2 x 10/100/1000Mbps	3 x 10/100/1000Mbps	2 x 10/100/1000Mbps
Daisy-chain capable	No	No	No	Yes	No
Operating Temperature	0°C - 50°C	-20°C - 70°C	0°C - 70°C	0°C - 70°C	-40°C - 70°C
Power	24 VAC	5V DC	5V DC	5/9/12 VDC	10 - 30 VDC
Power Connector	Terminal block	micro-USB	USB-C	USB-C	Terminal block
Dimensions		62D x 55W x 30H mm	62.5D x 62.5W x 29H mm	68D x 94.5W x 30H mm	100H x 93D x 30W mm
Quantum Resistant Methods	Optional	Optional	Optional	Optional	Optional
AI Device Protection	N/A	Optional	Optional	Optional	Optional
Popular Protocols Supported (see website or contact Veridify for complete list)	BACnet IP, BACnet SC	BACnet IP, BACnet SC, Modbus TCP, EtherNet/IP, PROFINET, MQTT, SNMP	BACnet IP, BACnet SC, Modbus TCP, EtherNet/IP, PROFINET, MQTT, SNMP	BACnet IP, BACnet SC, Modbus TCP, EtherNet/IP, PROFINET, MQTT, SNMP	BACnet IP, BACnet SC, Modbus TCP, EtherNet/IP, PROFINET, MQTT, SNMP
Kit Part Numbers					
BACnet/IP					
Base software	DOME.SY.00.018	DOME.SY.00.021	DOME.SY.00.024	DOME.SY.00.025	DOME.SY.00.041
including PQ	DOME.SY.00.118	DOME.SY.00.121	DOME.SY.00.124	DOME.SY.00.125	DOME.SY.00.141
including AI	-	DOME.SY.00.221	DOME.SY.00.224	DOME.SY.00.225	DOME.SY.00.241
including AI and PQ	-	DOME.SY.00.321	DOME.SY.00.324	DOME.SY.00.325	DOME.SY.00.341
TCP/IP					
Base software	-	DOME.SY.01.021	DOME.SY.01.024	DOME.SY.01.025	DOME.SY.01.041
including PQ	-	DOME.SY.01.121	DOME.SY.01.124	DOME.SY.01.125	DOME.SY.01.141
including AI	-	DOME.SY.01.221	DOME.SY.01.224	DOME.SY.01.225	DOME.SY.01.241
including AI and PQ	-	DOME.SY.01.321	DOME.SY.01.324	DOME.SY.01.325	DOME.SY.01.341

* Quantum Resistant Algorithms secure against quantum and classic-based computing attacks

** Onboard AI Agent provides monitoring and cyber protection for the physical processing environment



	Model 110	Model 210
Enclosure / Device		
Dimensions	4.5" x 4.5" x 1.75" (114 x 114 x 44 mm)	3.94" x 2.75 x 1.18" (100 x 70 x 30 mm)
Enclosure	Plastic/Aluminum housing	Aluminum housing
Ingress Protection	IP30	IP30
Cooling	Internal Fan	Fanless
Certifications	FCC, CE, UKCA, RoHS, PSE	CE, FCC, UL, CCC, BSMI
Environmental		
Operating Temperature	0 - 50 °C (32 - 122 °F)	-20 - 60 °C (-4 - 140 °F)
Shock Protection	Not available	50 G, half sine
Vibration Protection	Not available	2 Grms, random
Power		
Power Input	12 VDC	10-30 VDC
Power Connector	Barrel connector	Terminal block
Network & I/O		
LAN	2 x 10/100/1000 Mbps	2 x 10/100/1000 Mbps
USB	5 x USB 3.0	2 x USB 3.2
Video	2 x HDMI	1 x HDMI
Ordering Information		
Part Number	DOMEDA.01.010	DOMEDA.01.000